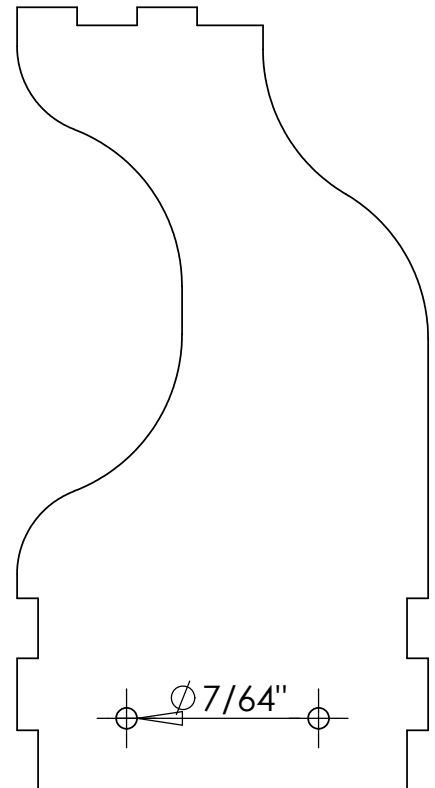
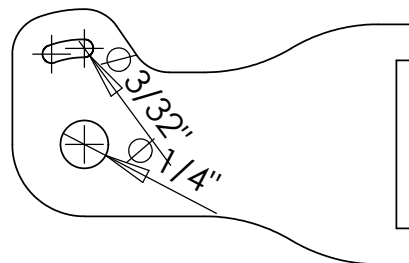
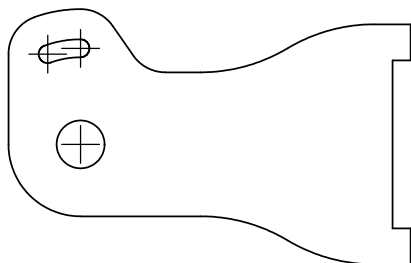
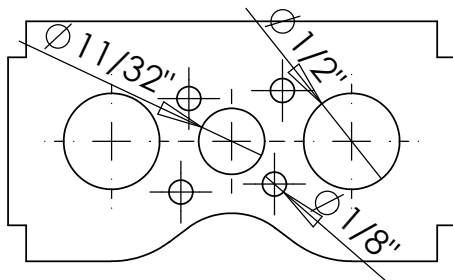
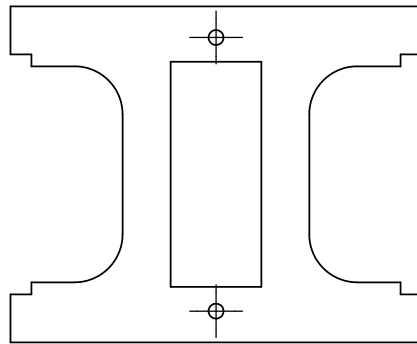
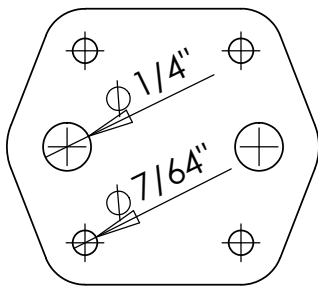
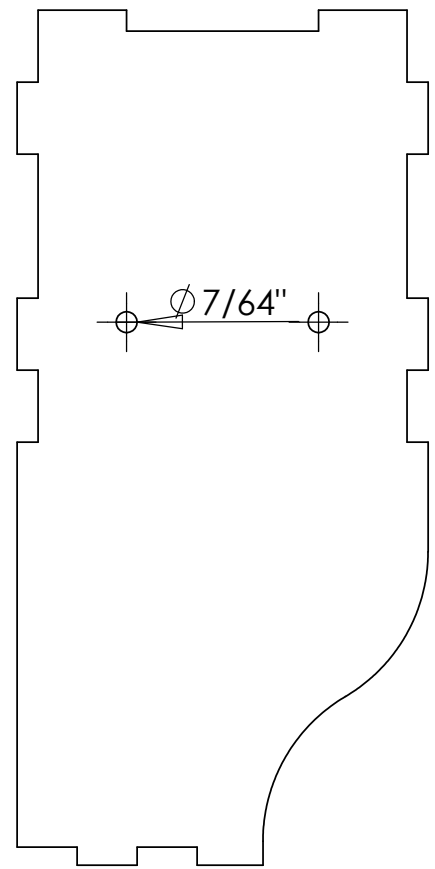
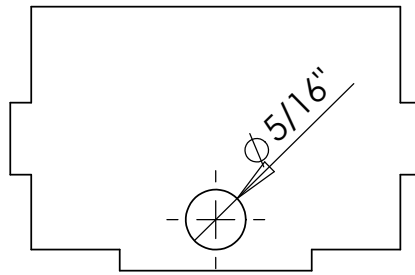
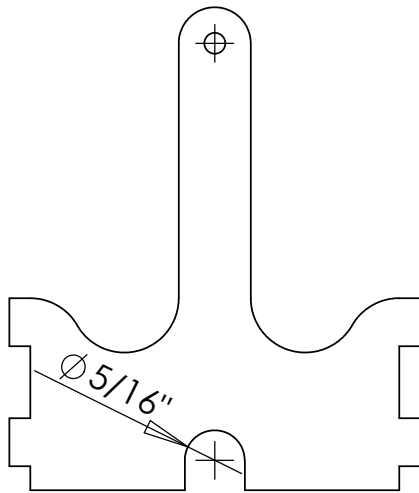


Fuselage Plywood

AUTHOR Kevin R. Hanes		
MATERIAL 3/32" aircraft grade plywood		
DIMENSIONS ARE IN INCHES		
COMMENTS:	FILE Fuselage	REV.
	SCALE: 1:1	SHEET 1 OF 2

COPYRIGHT AND DISTRIBUTION NOTICE
 This drawing is copyright Kevin R. Hanes, 2007. You are free to copy and/or distribute this drawing provided credit is give to the copyright holder, no modification is made to the drawing and you charge no money for it.



<p>COPYRIGHT AND DISTRIBUTION NOTICE This drawing is copyright Kevin R. Hanes, 2007. You are free to copy and/or distribute this drawing provided credit is given to the copyright holder, no modification is made to the drawing and you charge no money for it.</p>	AUTHOR	Kevin R. Hanes								
	MATERIAL	3/32" aircraft grade plywood								
	DIMENSIONS ARE IN INCHES									
	COMMENTS:				<table border="1" style="width: 100%;"> <tr> <td>FILE</td> <td style="text-align: center;">Fuselage</td> <td>REV.</td> </tr> <tr> <td>SCALE: 1:1</td> <td></td> <td style="text-align: right;">SHEET 2 OF 2</td> </tr> </table>	FILE	Fuselage	REV.	SCALE: 1:1	
FILE	Fuselage	REV.								
SCALE: 1:1		SHEET 2 OF 2								

Fuselage Plywood